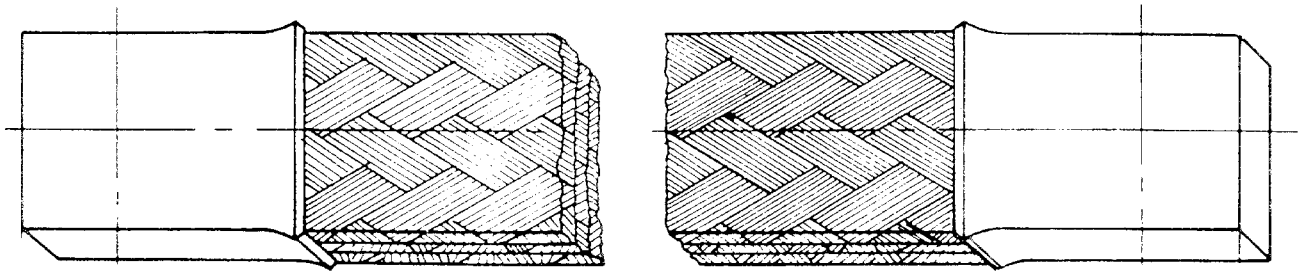
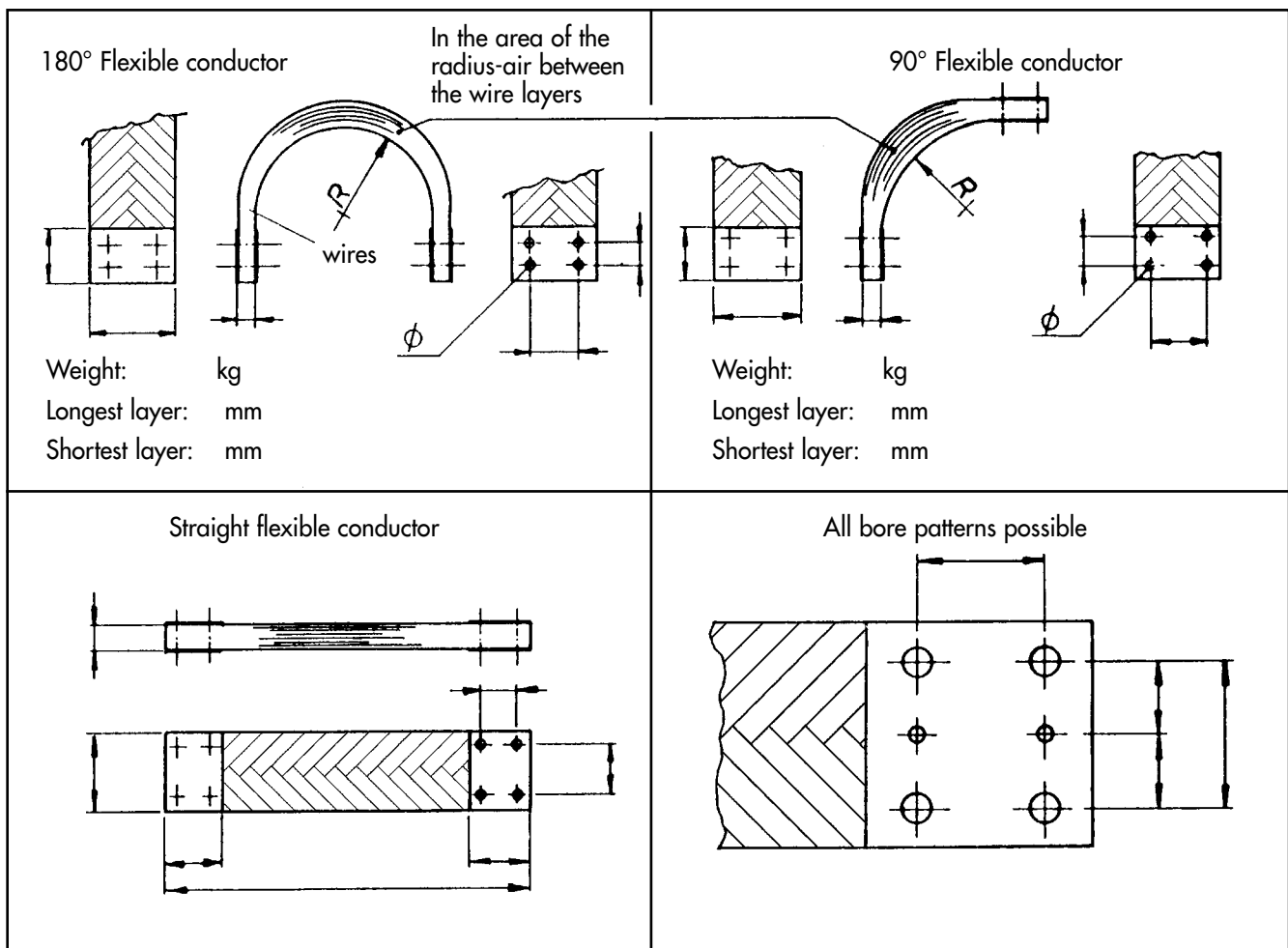


Available in all possible designs and dimensions according to customer drawing



Wire shunts are deliverable in all kinds of designs and dimensions. For an order we need, in case a drawing or sample isn't available, the following dimensions are required when ordering a wire shunt



- Total cross section in mm²
- Single cross section in mm²
- Number of wire layers