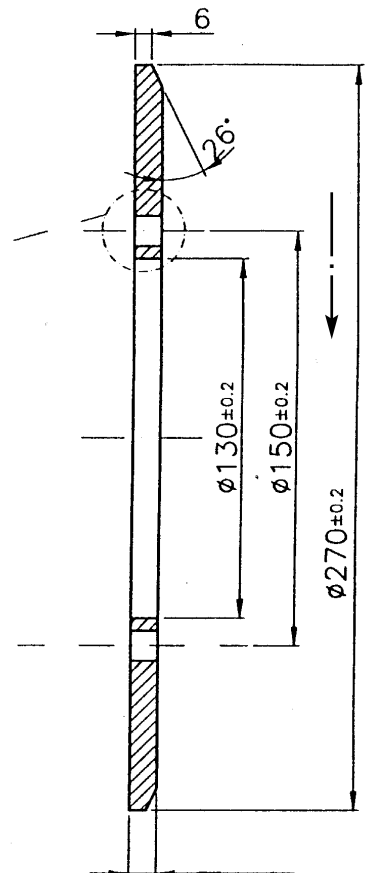
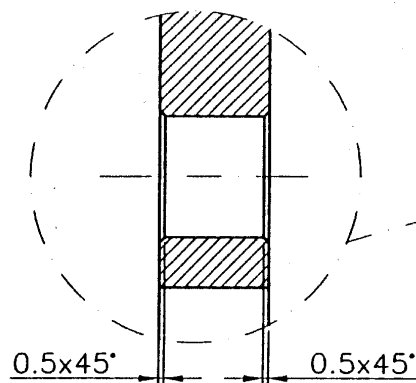


Scale 2:1

Section A-A



A sample of a welding wheel design showing dimensions normally required. Welding wheels can be produced according to drawing or sample.